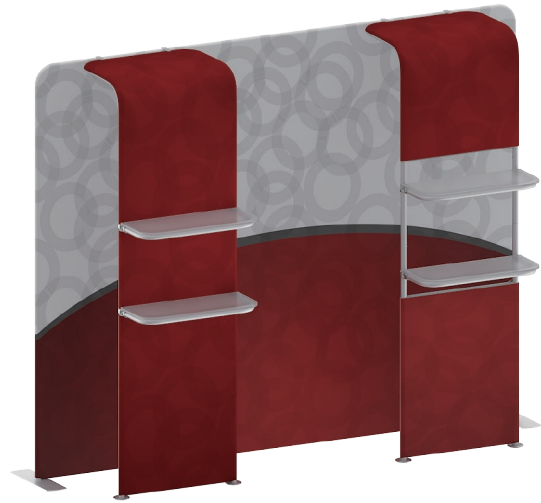


Waterfall 36"

WFA36



Partial Graphic
WFA36-G-P

FullGraphic
WFA36-G



PARTS INCLUDED



Aluminum Frame



Graphic



Support Feet x2



WLM-CM90 Clamp x1



OPTIONAL Shelving

PRODUCT DESCRIPTION

The WaveLine Waterfall features a robust aluminum frame with choice of partial or full graphics. Its durable aluminum poles are supported by sturdy feet. Graphics are printed on exclusive One Planet recycled fabric. Upgrade with optional shelving for more functionality.

KEY FEATURES

- Provides additional depth and functionality
- Easy tool-free assembly
- Durable aluminum poles
- Partial or full graphics
- Vibrant graphic prints on recycled fabrics
- Convenient optional shelving

DISPLAY CONSTRUCTION

Aluminum frame with aluminum support poles

GRAPHIC FINISHING

Top grade YKK zippers along bottom of display

GRAPHIC MATERIAL

Graphic Print :
Dye sublimated on One Planet, 100% recycled, fabric

Bottles recycled
59

DIMENSIONS

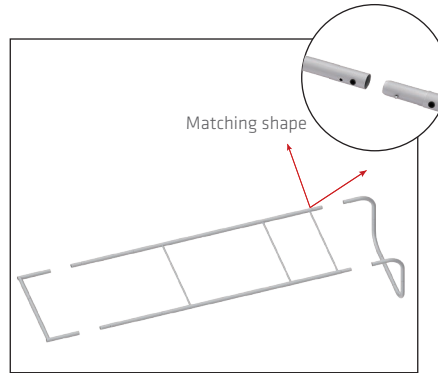
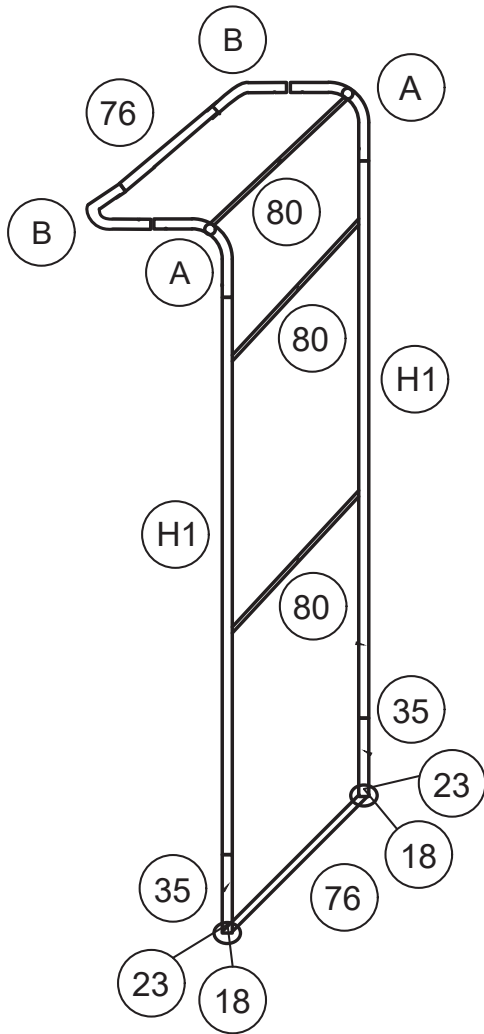
Assembled Unit	36" w x 89" h x 21" d
WFA-G Graphic Size	36" w x 105" h
WFA-G-P Graphic Size	Top: 36" w x 39.8" h Bottom: 36" w x 35.4" h
Shipping Box	33" w x 14" h x 11" d, 16 lbs
Optional Shelves	Call for details!

WARRANTY

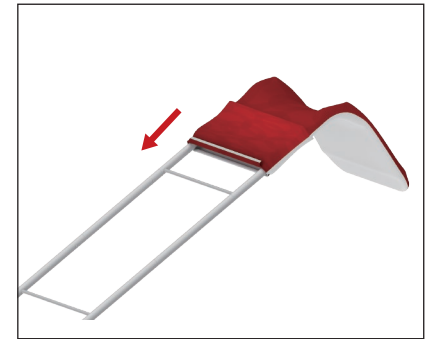
Limited Warranty Periods
- Frame : Lifetime
- Graphics : 6 months

Waterfall 36"

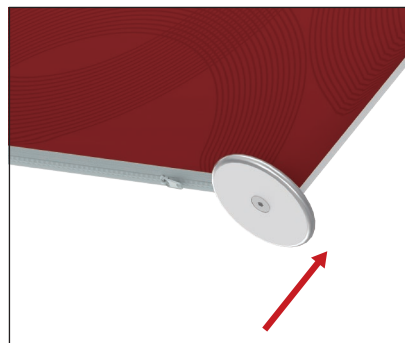
WFA36



1. Connect poles by pressing and pushing. Connect corner sections to straight sections with matching shape codes.



2. Unzip print and lay image face up. Slide print onto frame like a pillow case.

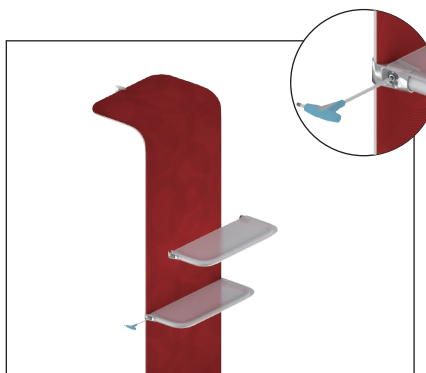


3. Connect feet by pressing and pushing. Zip the bottom edge of the graphic beyond the center point as shown above.



4. Position frame as desired and clamp in place.

36" Waterfall	
Qty.	Part Number
2	WLM90 (A)
2	WLM90-1 (B)
2	WFA-H-1 (H1)
3	WLM-80 (80)
2	WLM-76 (76)
2	WLM35 (35)
2	WLM18 (18)
2	WLM23 (23)
1	WLM-CM90



5. Shelves come semi assembled, make sure to level before tightening the clamp.



6. Enjoy!