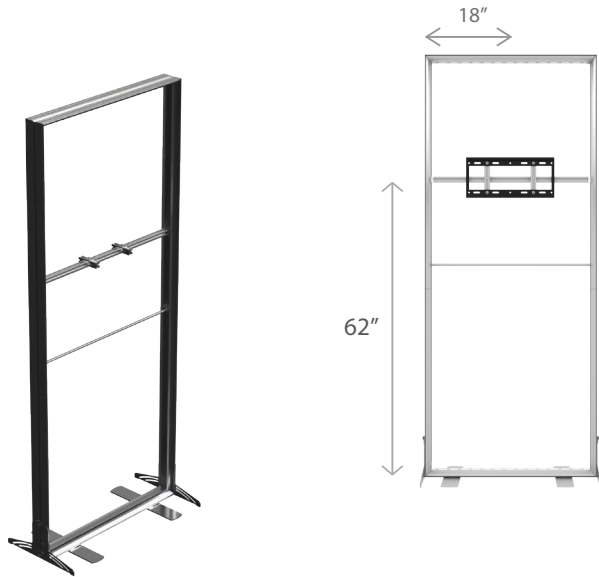


Double Sided Monitor Mount

BLM-TV-36-DK



PRODUCT DESCRIPTION

Designed for seamless compatibility with BrightLine and StraightLine Displays, these mounts create a sleek, 'floating' screen effect. Installation is quick and effortless—simply slide the TV bar into the frame, secure the monitor plates with screws, and attach your screens. For enhanced stability, the kit includes side feet. Graphics can be finished with four convenient pre-cut slits or personally customize slits with the included cutter.





MONITOR SPECIFICATIONS

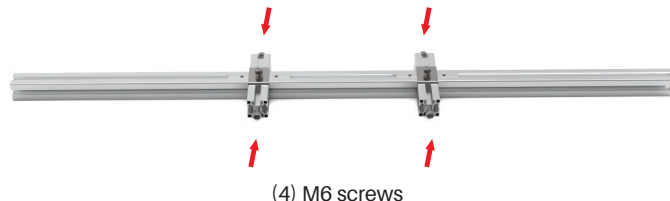
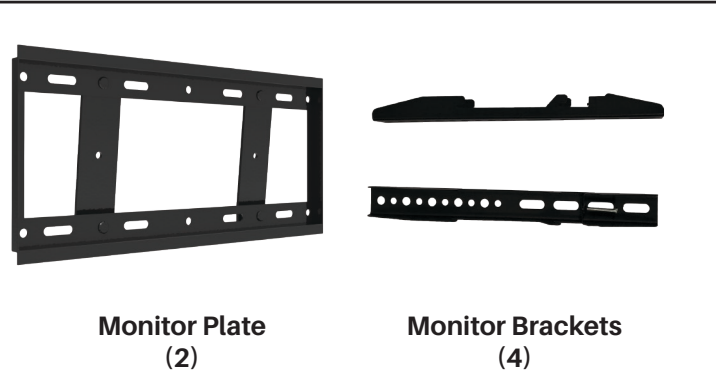
Holds monitors up to 25 lbs, VESA 200 X 200

DIMENSIONS

Shipping Box	14" w x 4" d x 42" h, 8 lbs
--------------	-----------------------------

PARTS

(1x) Allen Key	 5mm
(8x) Bracket-to-Monitor Screws: M5, M6, & M8 screws included. Check your TV for specs	
Spacers	
Cutter	

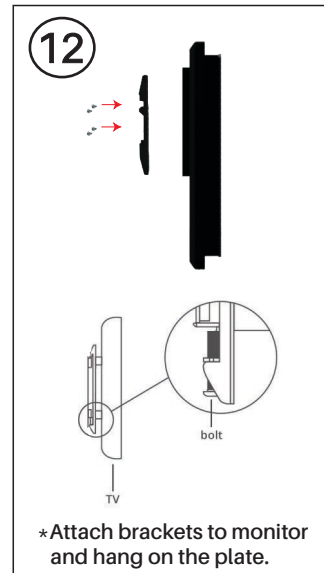
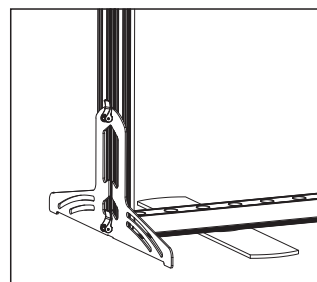
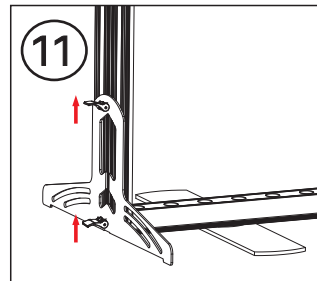
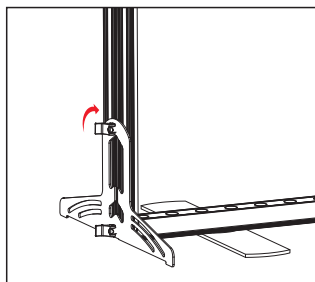
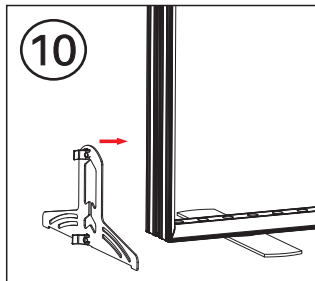
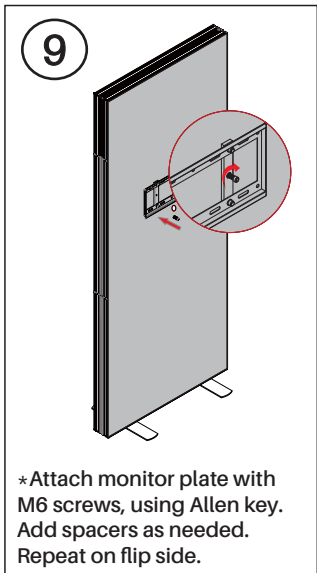
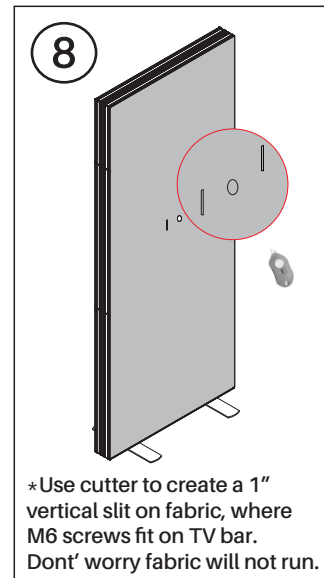
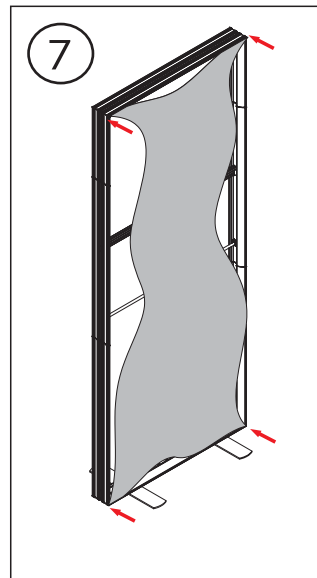
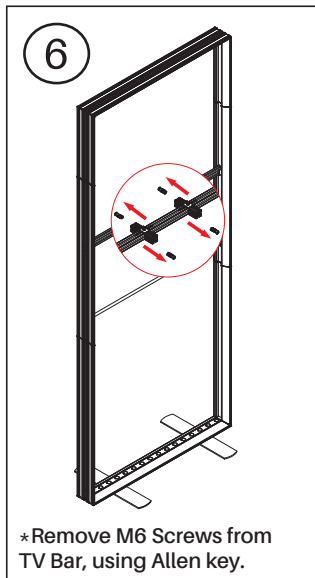
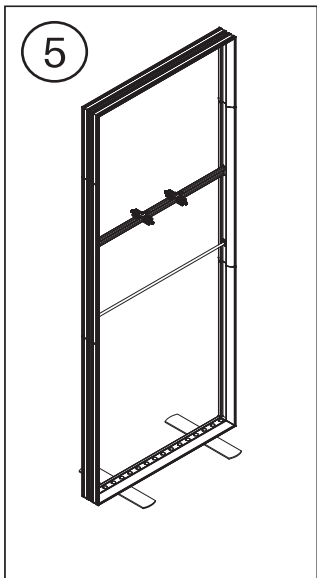
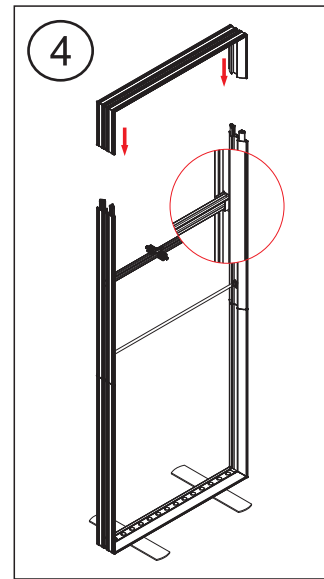
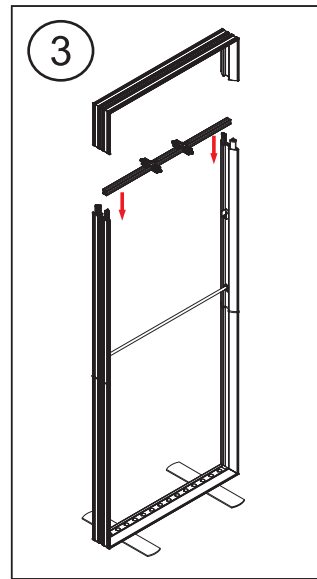
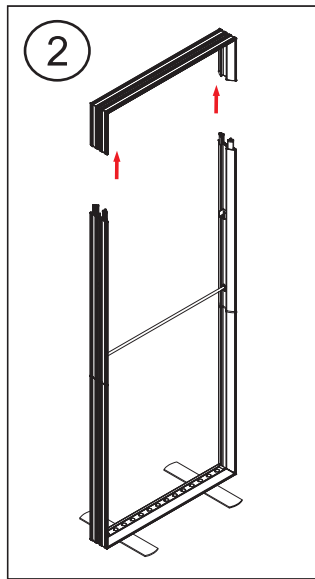
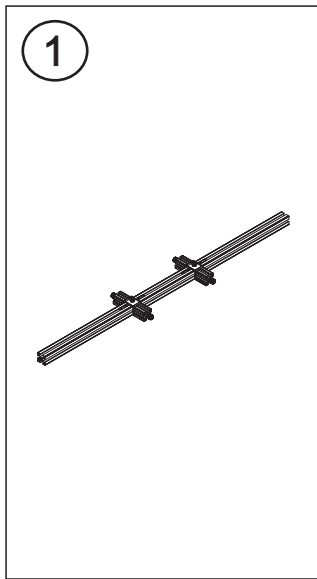


Double Sided TV Bar 36''

Side Foot (2)

*Philips Screwdriver not included

Double Sided Monitor Mount
BLM-TV-36-DK



PARTS INCLUDED

Adhesive Cable Clips (4x)



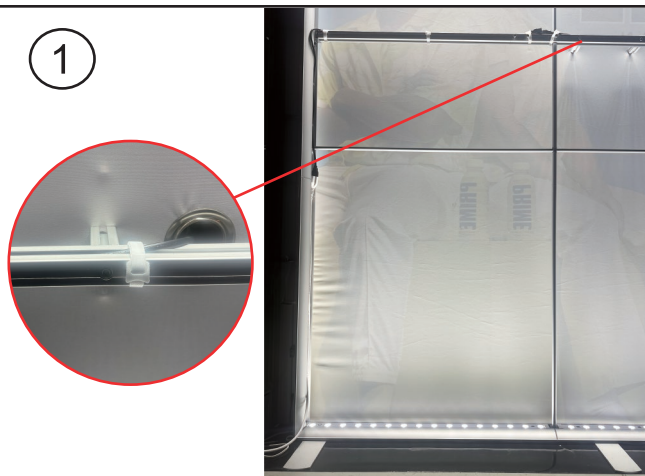
Reusable Velcro Cable Ties (5x)



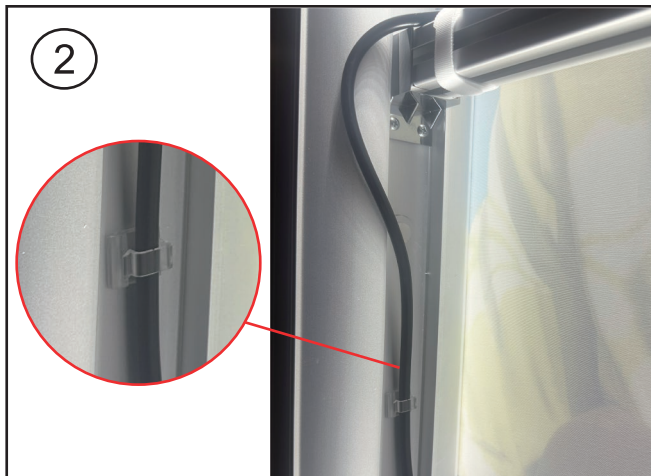
Resealable Lock Bag



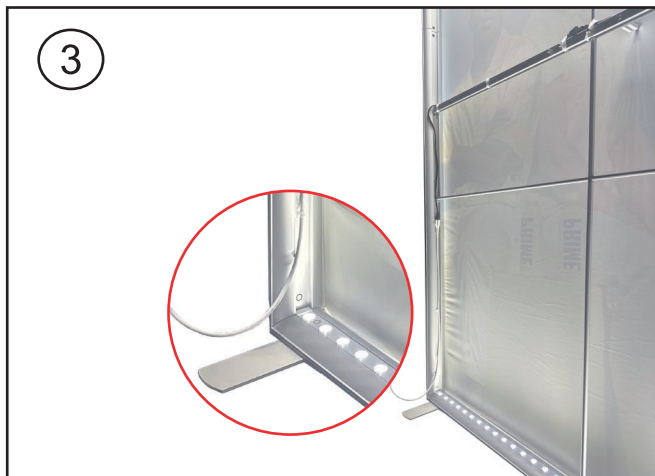
You will need 10ft Extension Cable



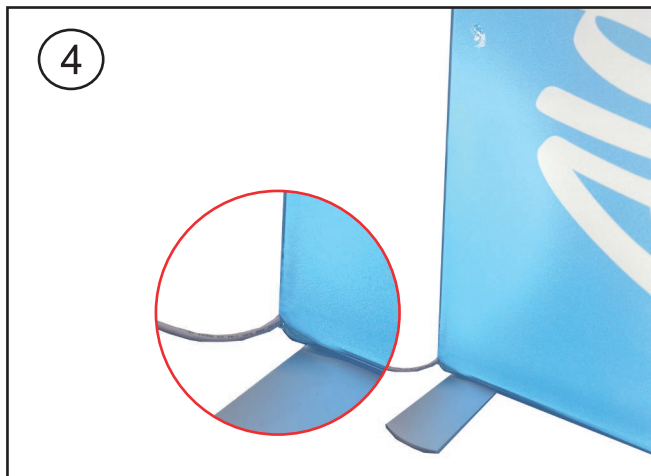
1
Connect the extension cable to your TV. Route cable inside the groove of the TV bar and use cable ties to secure in place.



2
Attach wire clips to the frame. Then route the cable through and secure within the clips.



3
Route cable through the bottom corner of the frame.



4
Secure the vertical end of the graphic first, adjust cable, then finish with the bottom of the fabric