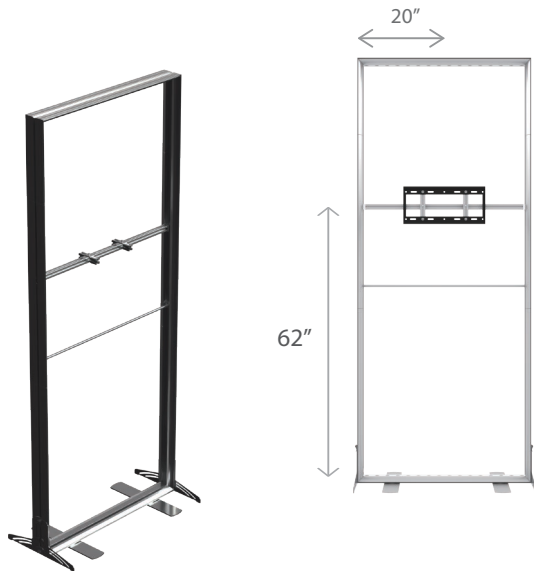


Double Sided Monitor Mount

BLM-TV-40-DK



PRODUCT DESCRIPTION

Optimized for BrightLine and StraightLine Displays, these mounts create a sleek, "floating" screen effect. Installation is effortless—slide the TV bar into the frame, secure the monitor plates with screws, and attach your screens. Side feet are included for enhanced stability. Graphics can be finished with four pre-cut slits for easy access or use the included cutter to customize your own cutouts as needed.





MONITOR SPECIFICATIONS

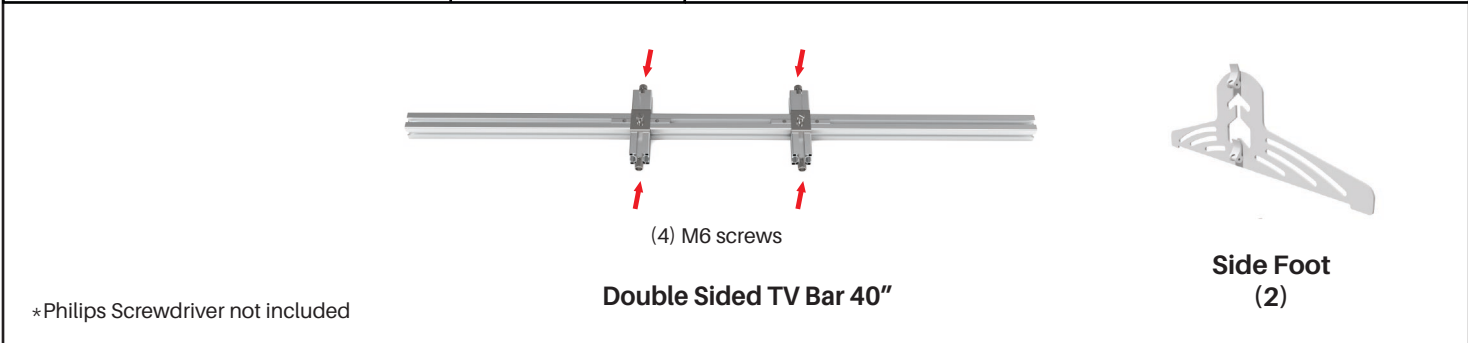
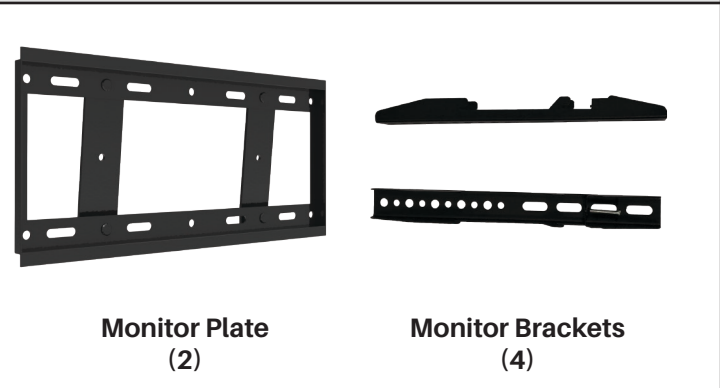
Holds monitors up to 25 lbs, VESA 200 X 200

DIMENSIONS

Shipping Box	14" w x 4" d x 42" h, 10 lbs
--------------	------------------------------

PARTS

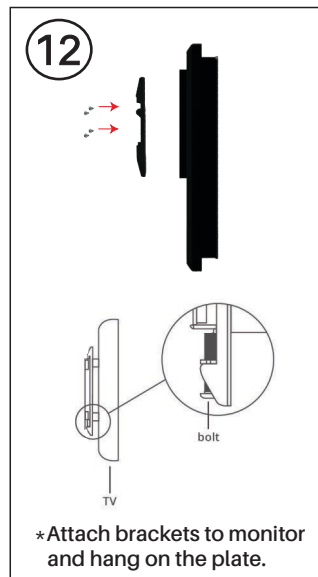
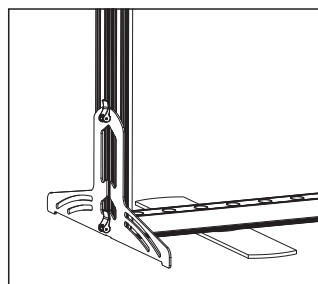
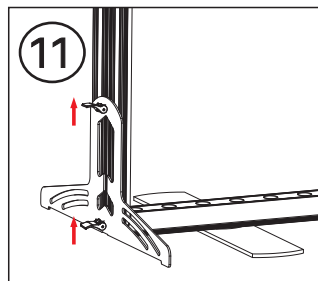
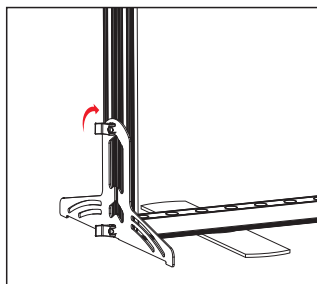
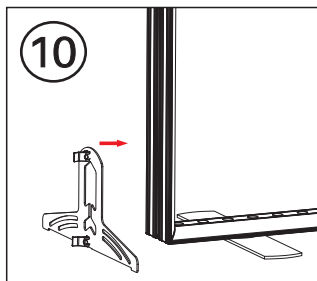
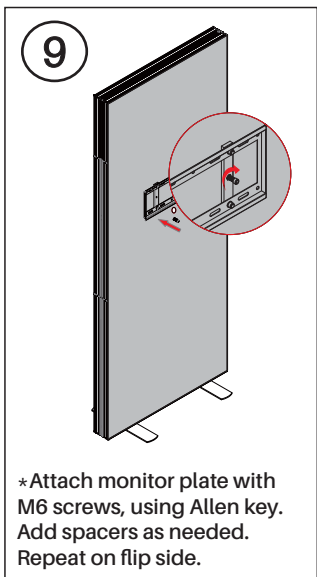
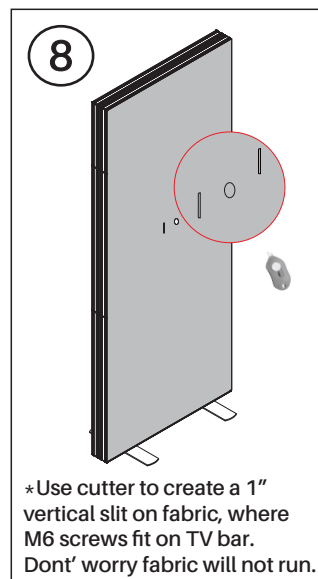
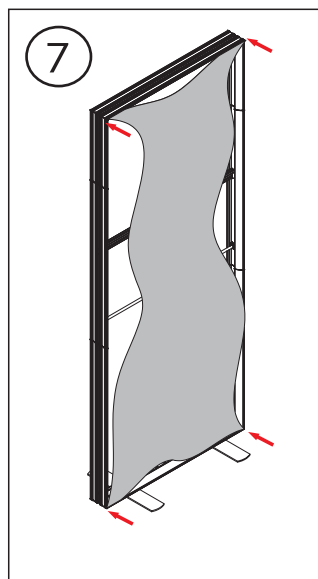
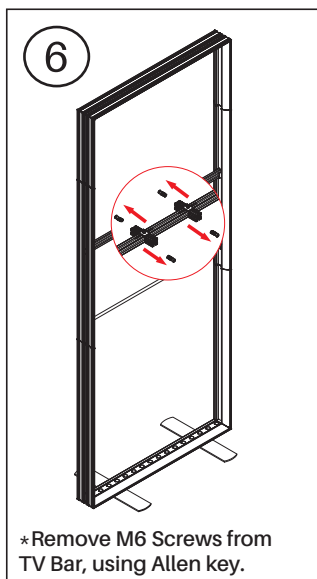
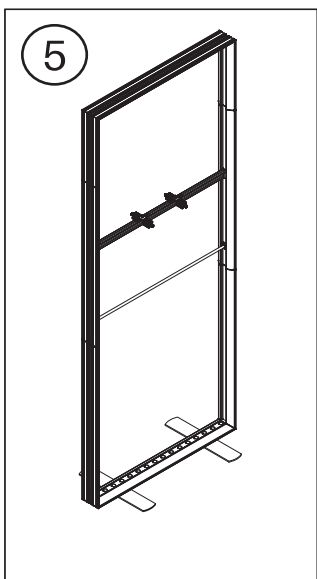
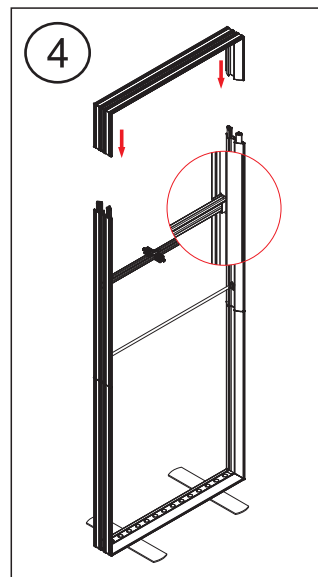
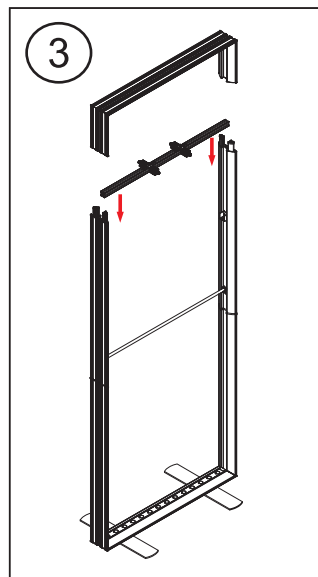
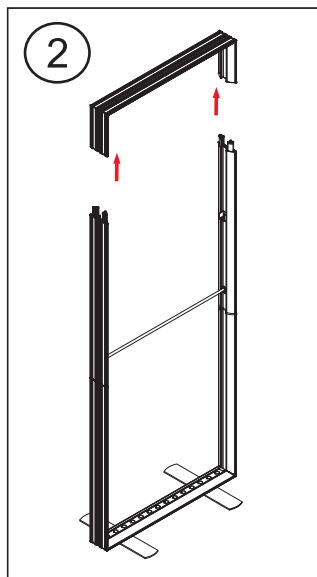
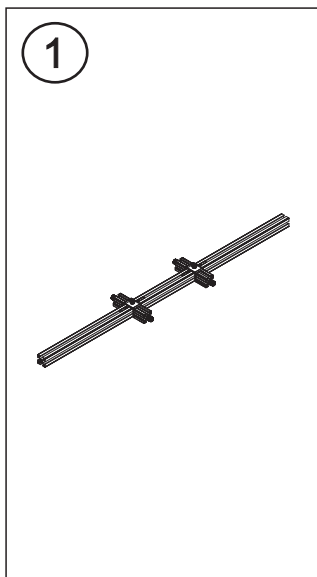
(1x) Allen Key	 5mm
(8x) Bracket-to-Monitor Screws: M5, M6, & M8 screws included. Check your TV for specs	
Spacers	
Cutter	



*Philips Screwdriver not included

Double Sided Monitor Mount

BLM-TV-40-DK



PARTS INCLUDED

Adhesive Cable Clips (4x)



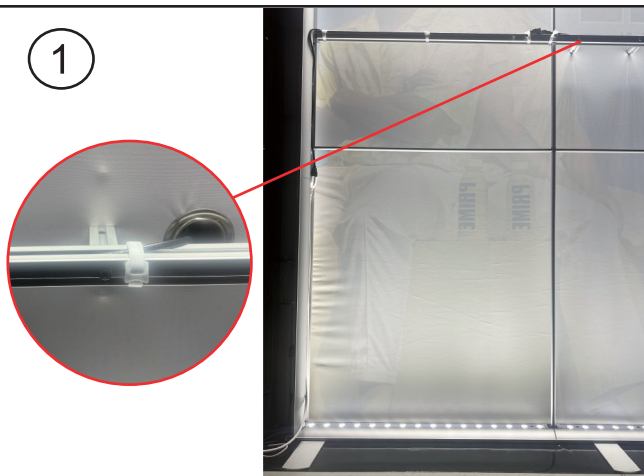
Reusable Velcro Cable Ties (5x)



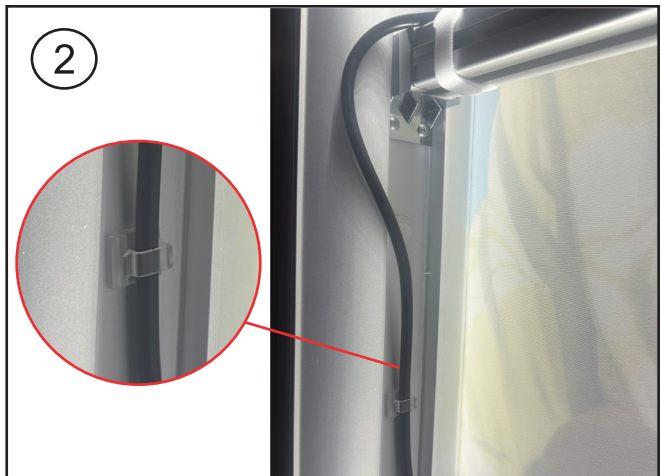
Resealable Lock Bag



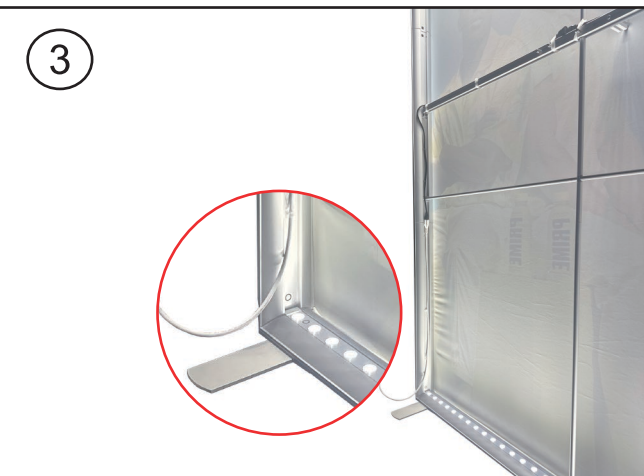
You will need 10ft Extension Cable



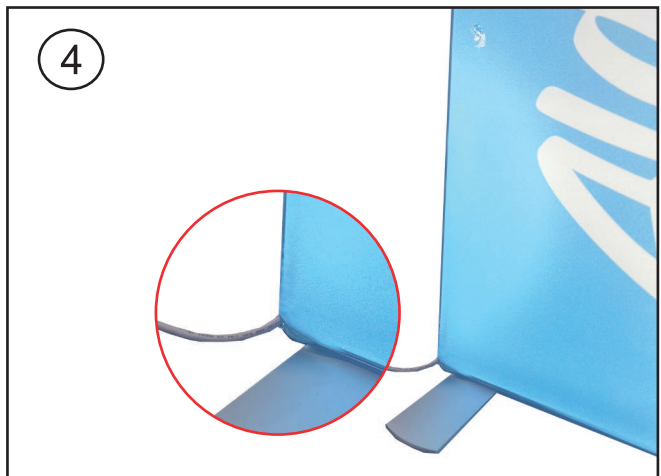
1
Connect the extension cable to your TV. Route cable inside the groove of the TV bar and use cable ties to secure in place.



2
Attach wire clips to the frame. Then route the cable through and secure within the clips.



3
Route cable through the bottom corner of the frame.



4
Secure the vertical end of the graphic first, adjust cable, then finish with the bottom of the fabric