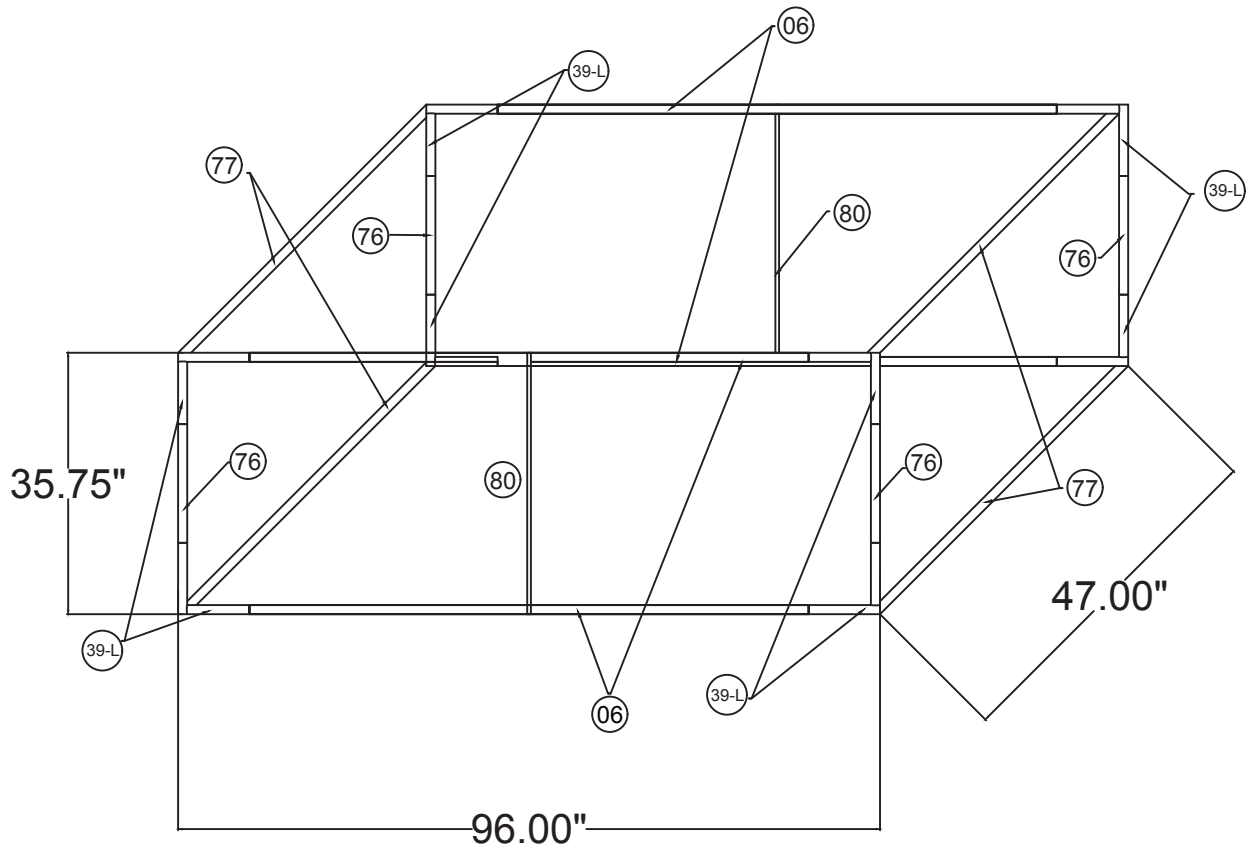
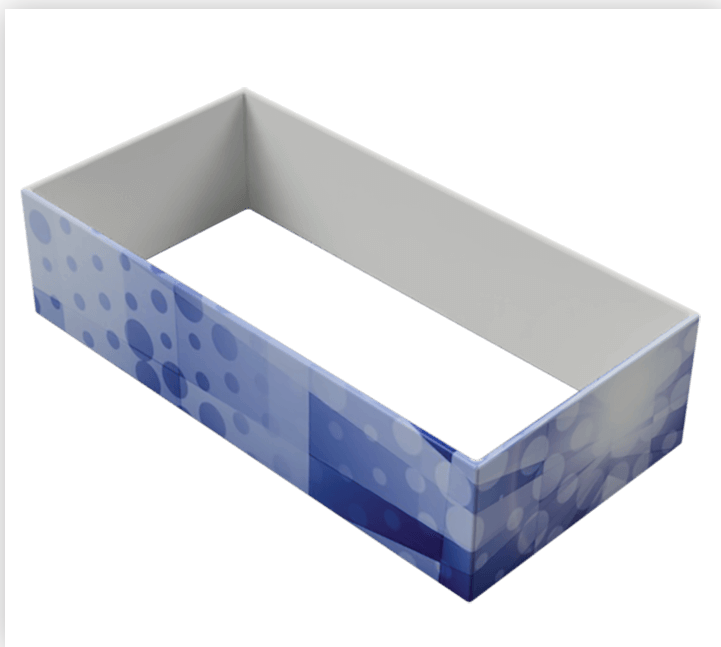


WAVELINE®

8'w x 3'h WL Hanging Sign



RHS0836



8'L x 4'w x 3'h Rectangular Hanging Sign	
Qty.	Part Number
8	WLM#039L-US
4	WLM#076
4	WLM#006
4	WLM#077
2	WLM#080
1	BGO-Fabirc-L bag

Notes:

- * Does not include Hanging Cables
- * will fit inside CA600 or CA900 case



Hanging Sign Rigging Instructions



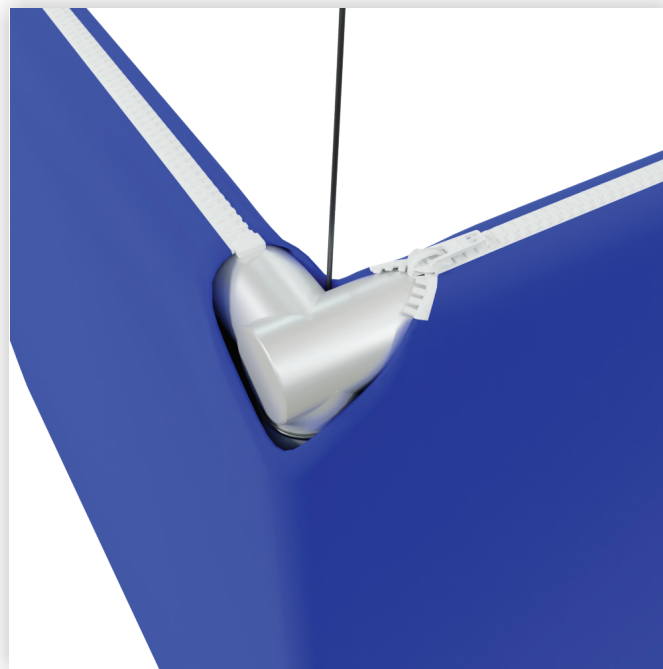
Step 1

After assembling the sign, locate the hanging points. There are openings on the zipper to allow for cables to be inserted



Step 2

Open the zippers to expose the hanging area, then wrap the cables around the vertical support pole



Step 3

Pull the cable through the opening in the fabric. Close the zippers.

*Hanging cables are not included in the kit, to be provided by on-site rigging team.