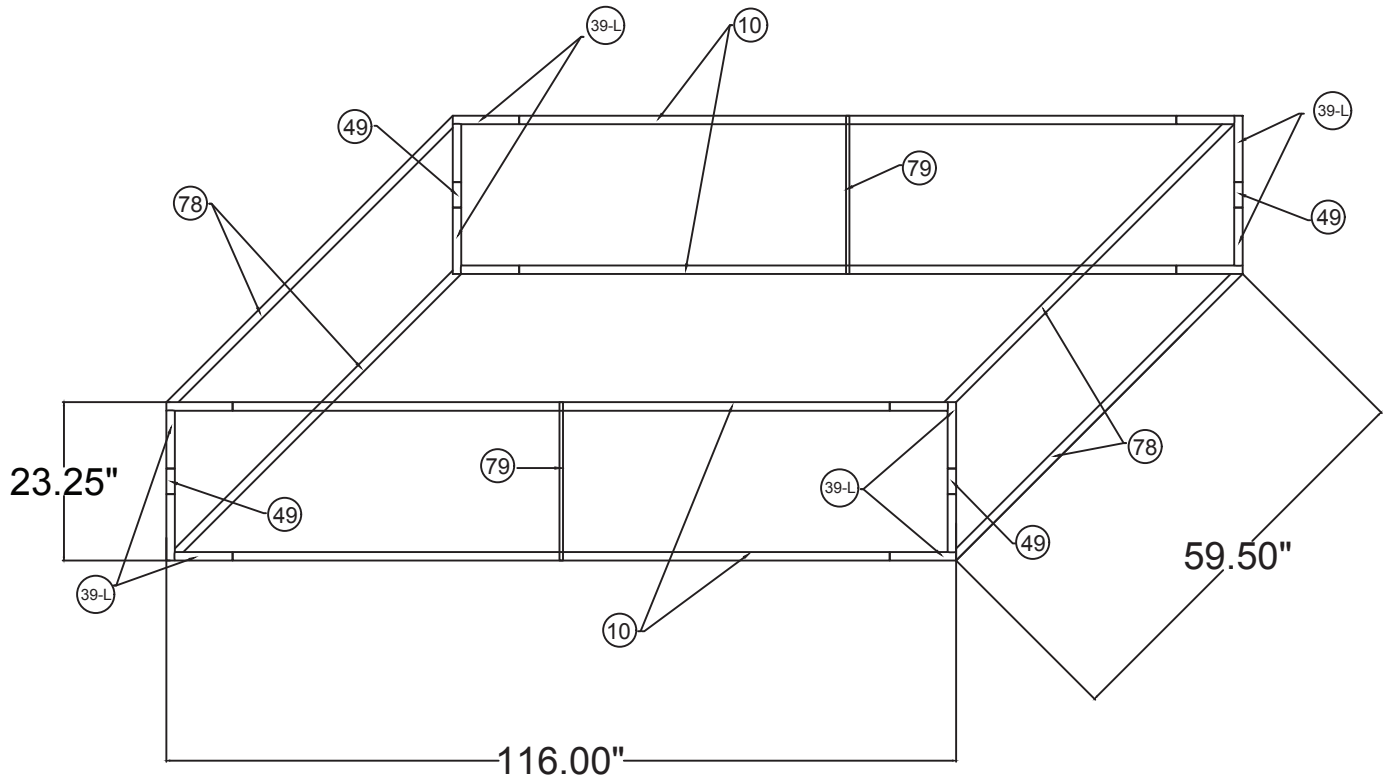


# WAVELINE®

## 10'w x 2'h WL Hanging Sign



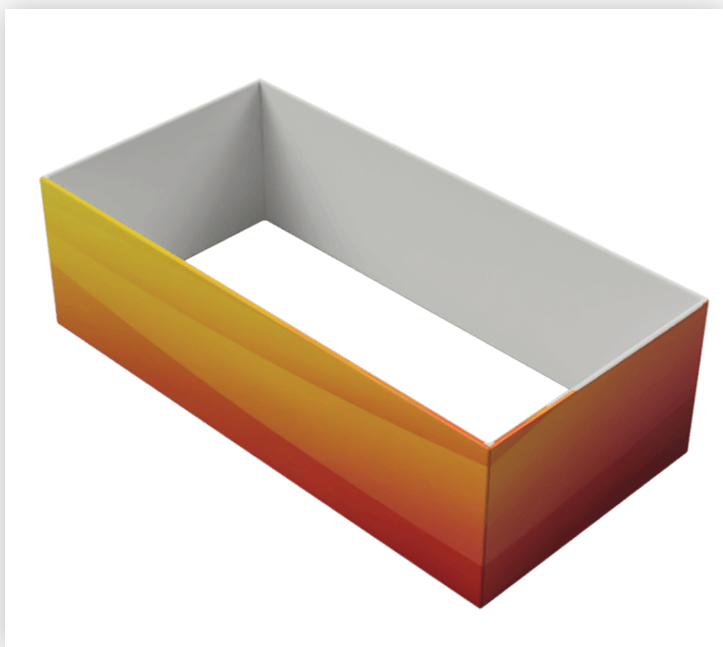
### RHS1024

10'L x 5'w x 2'h Rectangular Hanging Sign

Qty.	Part Number
8	WLM#039L-US
4	WLM#049
4	WLM#010
4	WLM#078
2	WLM#079
1	BGO-Fabirc-L bag

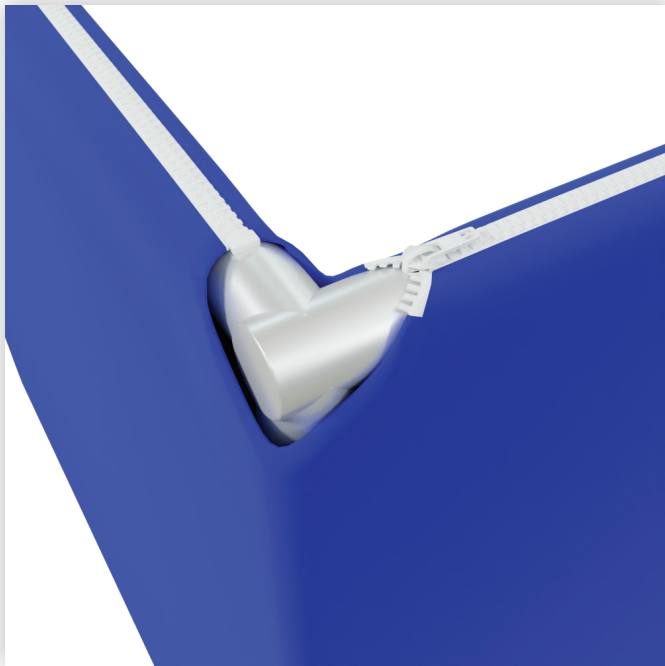
#### Notes:

- \* Does not include Hanging Cables
- \* will fit inside CA600 or CA900 case



# WAVELINE®

## Hanging Sign Rigging Instructions



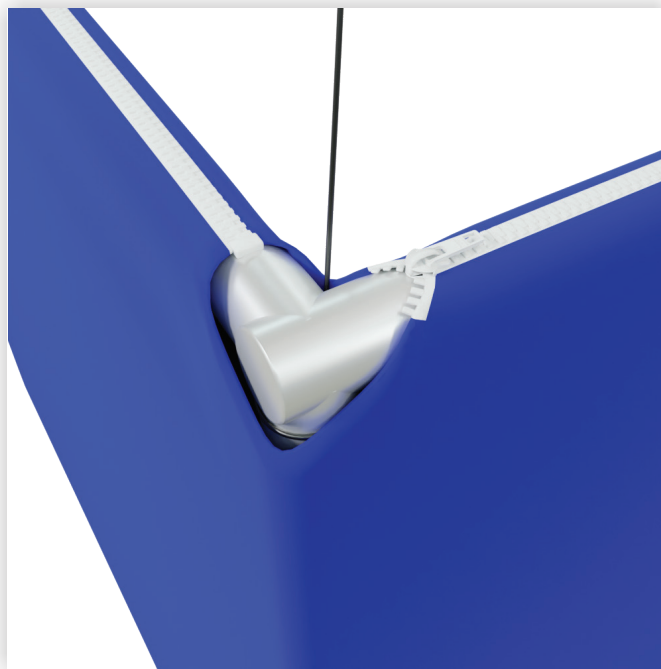
### Step 1

After assembling the sign, locate the hanging points. There are openings on the zipper to allow for cables to be inserted



### Step 2

Open the zippers to expose the hanging area, then wrap the cables around the vertical support pole



### Step 3

Pull the cable through the opening in the fabric. Close the zippers.

\*Hanging cables are not included in the kit, to be provided by on-site rigging team.