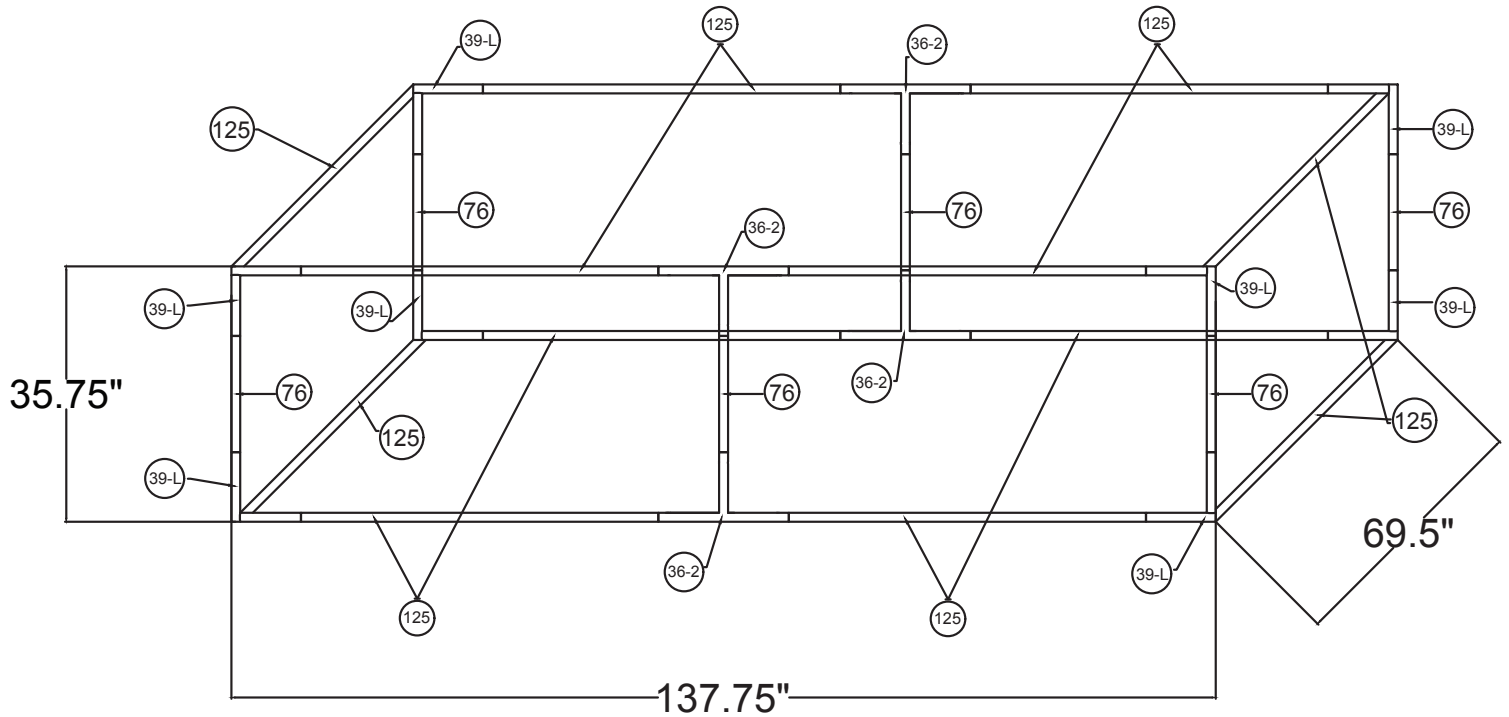




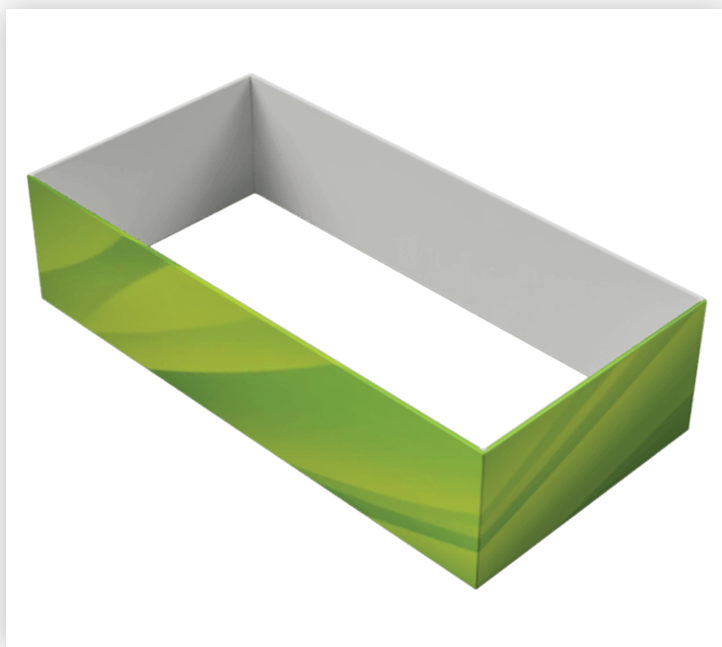
12'w x 3'h WL Hanging Sign



RHS1236

12'L x 6'w x 3'h Rectangular Hanging Sign

Qty.	Part Number
8	WLM#039L-US
6	WLM#076
12	WLM#125
4	WLM#036-2-US
1	BGO-FABRIC-XL bag

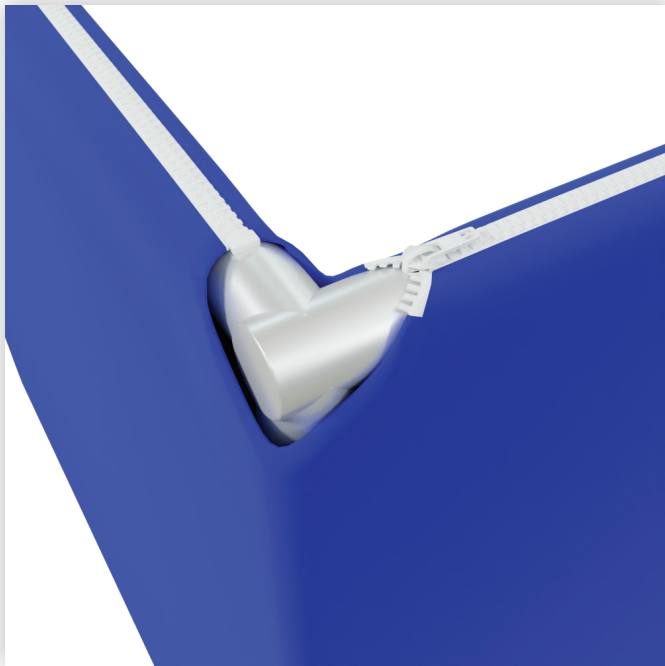


Notes:

- * Does not include Hanging Cables
- * will fit inside CA600 or CA900 case

WAVELINE®

Hanging Sign Rigging Instructions



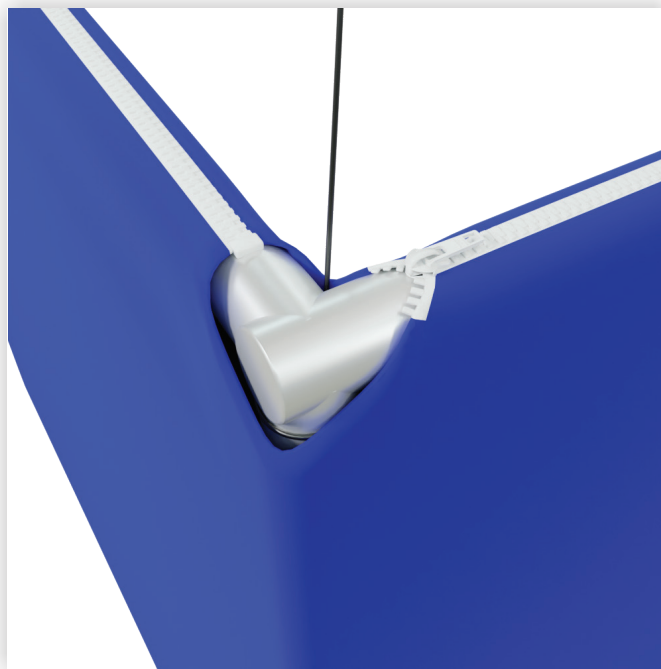
Step 1

After assembling the sign, locate the hanging points. There are openings on the zipper to allow for cables to be inserted



Step 2

Open the zippers to expose the hanging area, then wrap the cables around the vertical support pole



Step 3

Pull the cable through the opening in the fabric. Close the zippers.

*Hanging cables are not included in the kit, to be provided by on-site rigging team.