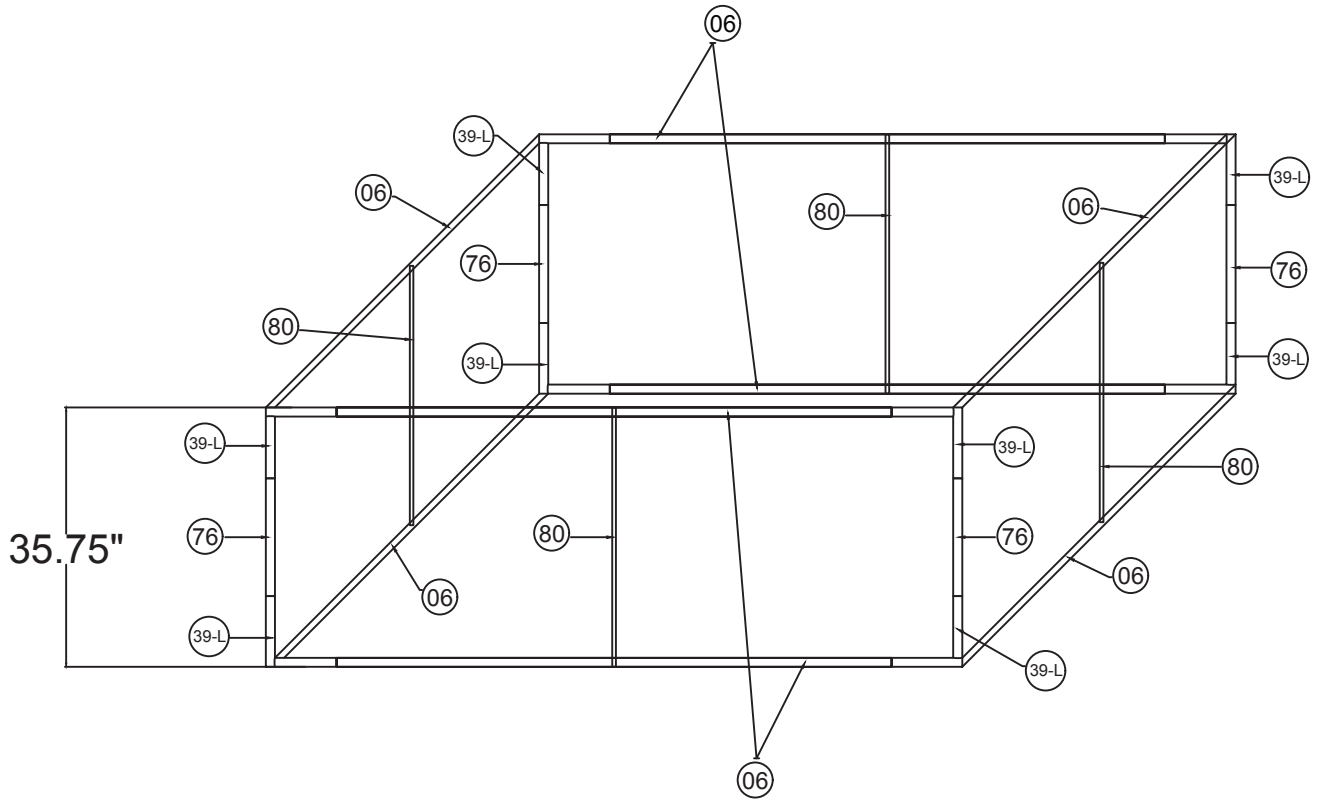
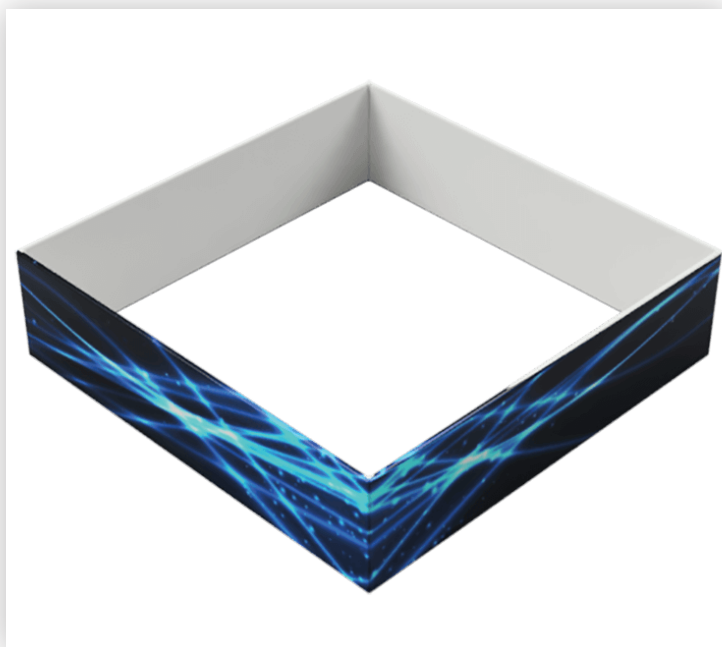


# WAVELINE®

8'w x 3'h WL Hanging Sign



## SHS0836



8'w x 3'h Sq. Hanging Sign	
Qty.	Part Number
8	WLM#039L-US
4	WLM#076
8	WLM#006
4	WLM#080
1	BGO-Fabric-L bag

**Notes:**

- \* Does not include Hanging Cables
- \* Will fit inside a CA600 or CA900 case

# WAVELINE®

## Hanging Sign Rigging Instructions



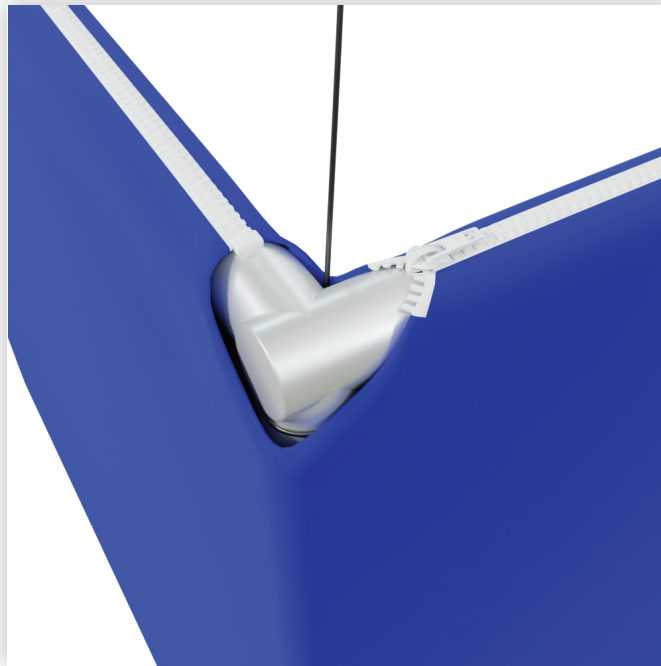
### Step 1

After assembling the sign, locate the hanging points. There are openings on the zipper to allow for cables to be inserted



### Step 2

Open the zippers to expose the hanging area, then wrap the cables around the vertical support pole



### Step 3

Pull the cable through the opening in the fabric. Close the zippers.

\*Hanging cables are not included in the kit, to be provided by on-site rigging team.