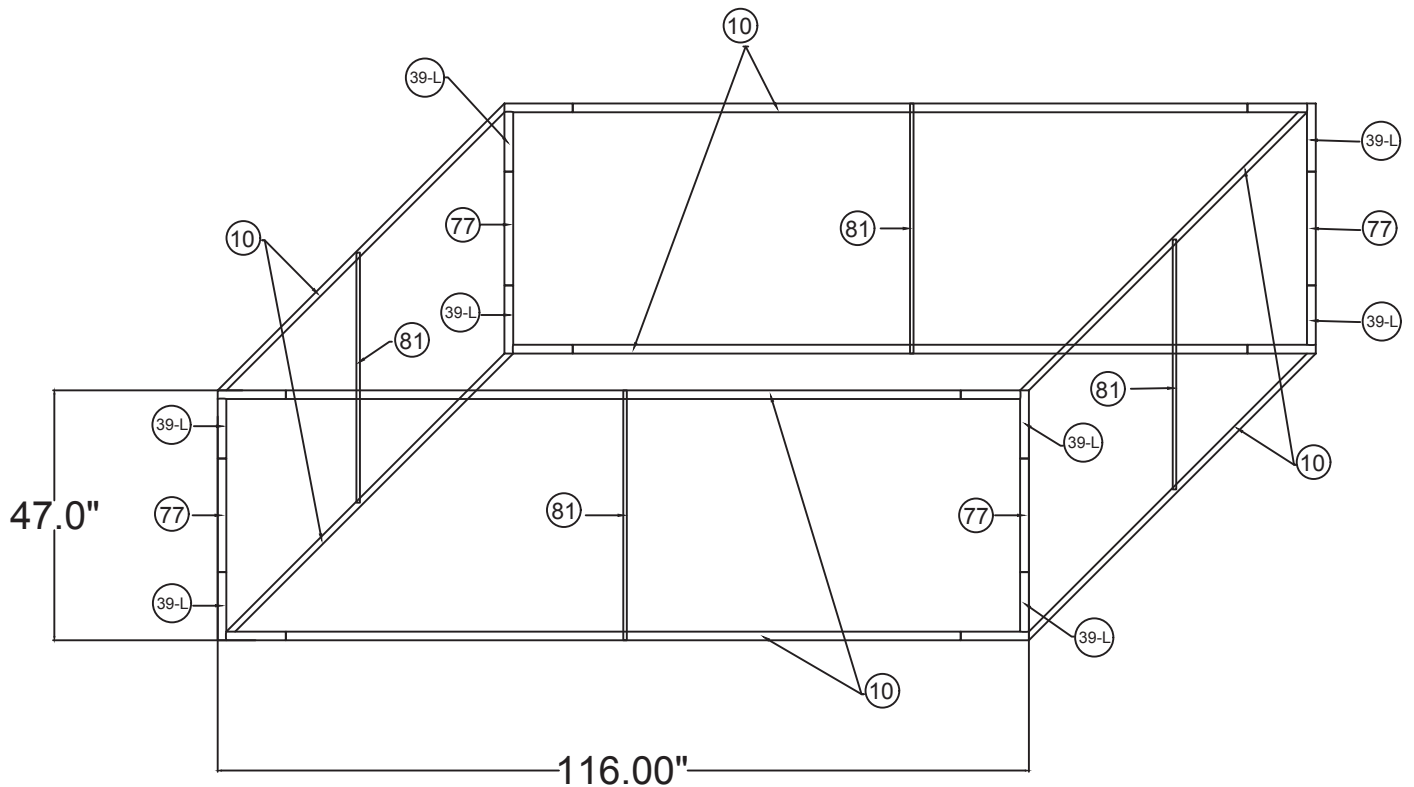


# WAVELINE®

## 10'w x 4'h WL Hanging Sign



### SHS1048

10'w x 4'h WL Hanging Sign

Qty.	Part Number
8	WLM#039L-US
4	WLM#077
4	WLM#081
8	WLM#010
1	BGO-FABRIC-L bag

#### Notes:

- \* Does not include Hanging Cables
- \* Will fit inside a CA600 or CA900 case

