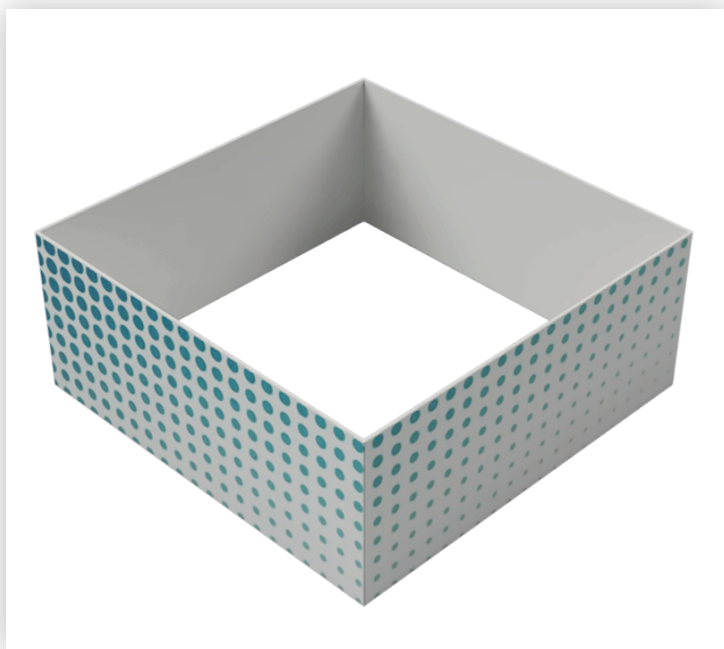
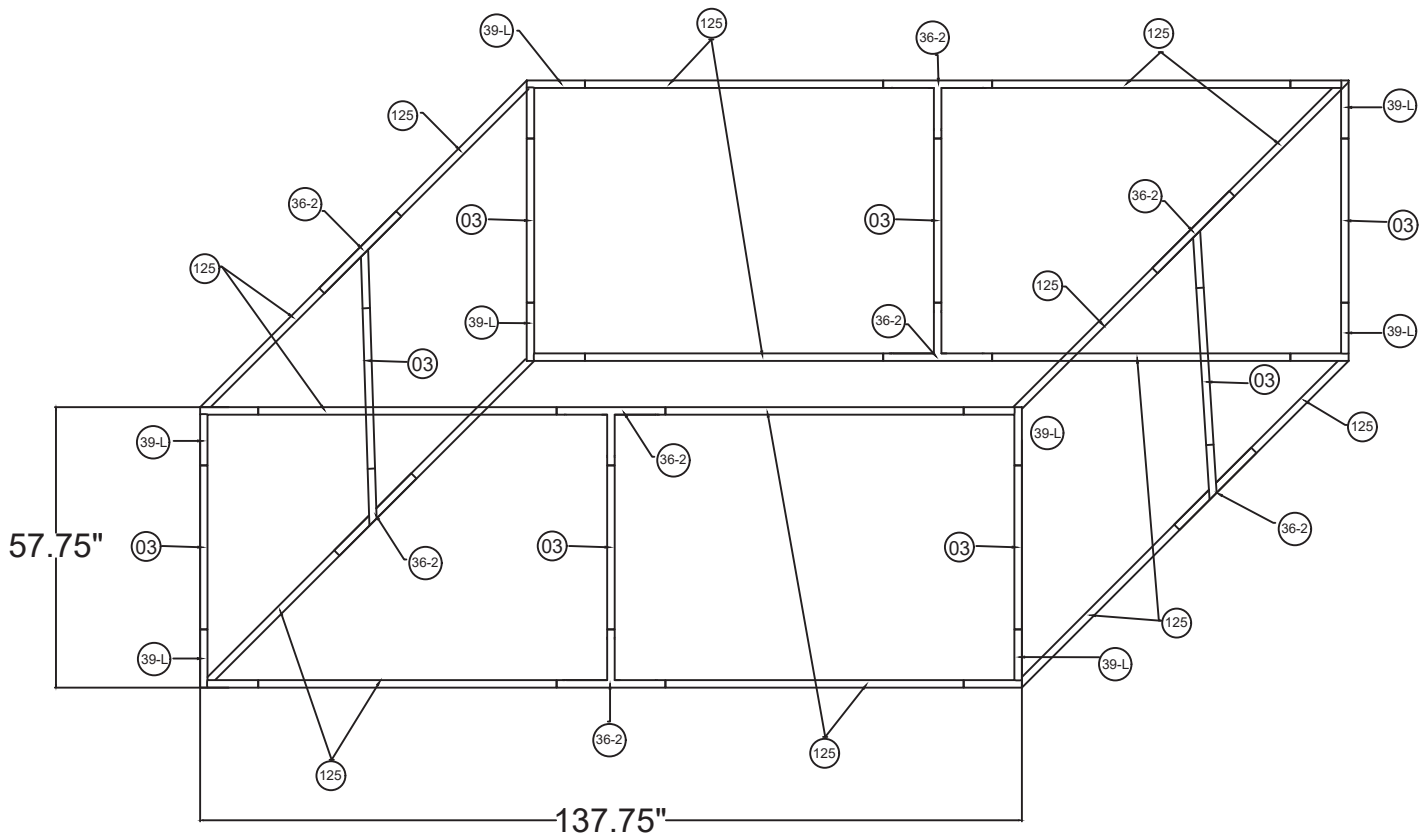


WAVELINE®

12'w x 5'h WL Hanging Sign



SHS1260

| 12'w x 5'h WL Hanging Sign | |
|----------------------------|------------------|
| Qty. | Part Number |
| 8 | WLM#039L-US |
| 8 | WLM#003 |
| 16 | WLM#125 |
| 8 | WLM#036-2-US |
| 2 | BGO-FABRIC-L bag |

Notes:

- * Does not include Hanging Cables
- * Will fit inside a CA600 or CA900 case

WAVELINE®

Hanging Sign Rigging Instructions



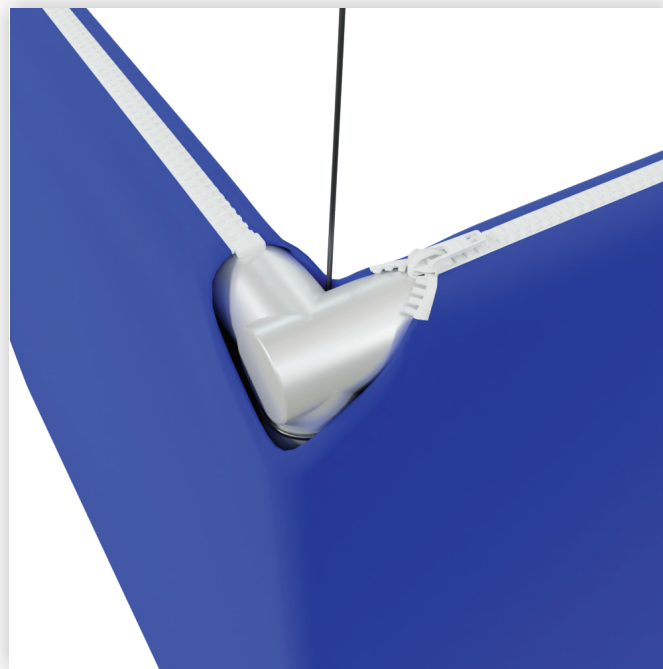
Step 1

After assembling the sign, locate the hanging points. There are openings on the zipper to allow for cables to be inserted



Step 2

Open the zippers to expose the hanging area, then wrap the cables around the vertical support pole



Step 3

Pull the cable through the opening in the fabric. Close the zippers.

*Hanging cables are not included in the kit, to be provided by on-site rigging team.