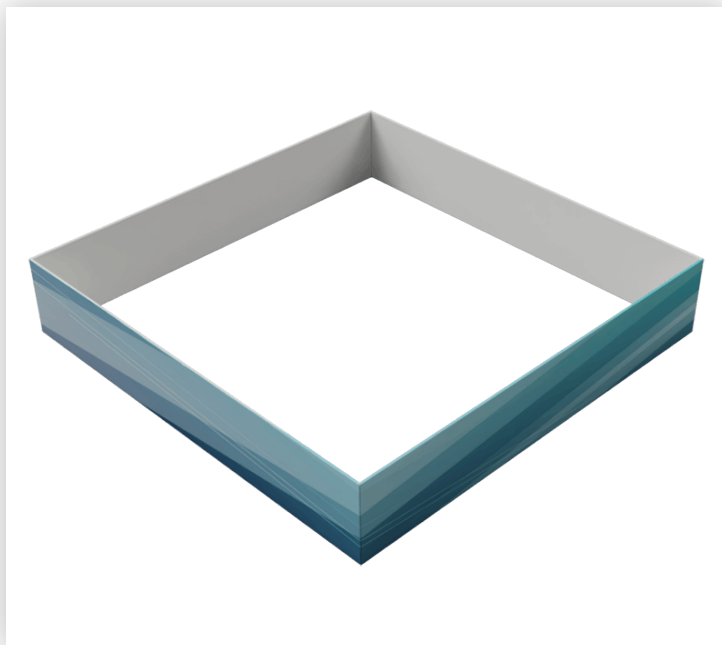
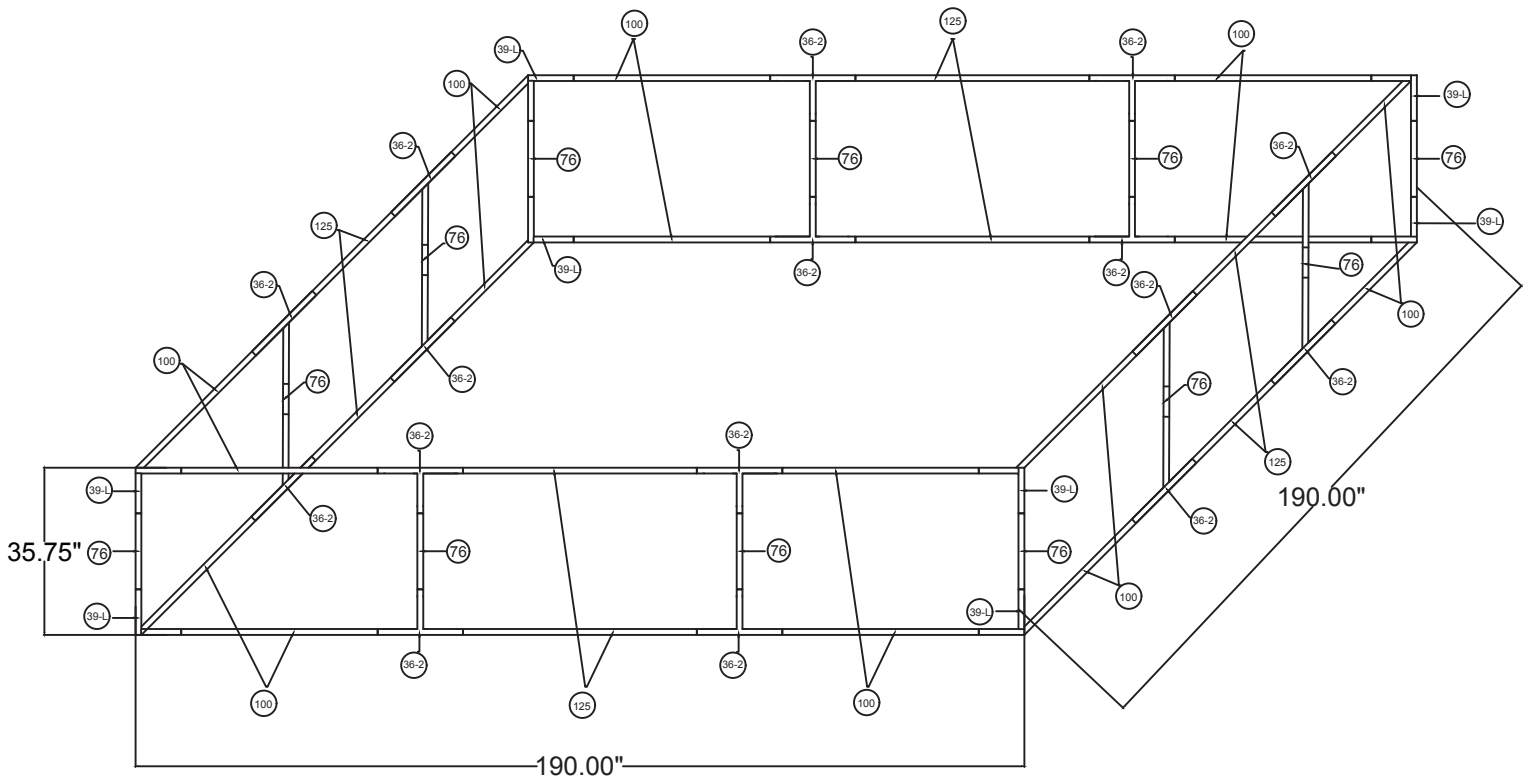


# WAVELINE®

## 16'w x 3'h WL Hanging Sign



### SHS1636

16'w x 3'h WL Hanging Sign	
Qty.	Part Number
8	WLM#039-L
12	WLM#076
16	WLM#100
8	WLM#125
16	WLM#036-2-US
2	BGO-FABRIC-XL bag

#### Notes:

- \* Does not include Hanging Cables
- \* Will fit inside a CA600 or CA900 case

# WAVELINE®

## Hanging Sign Rigging Instructions



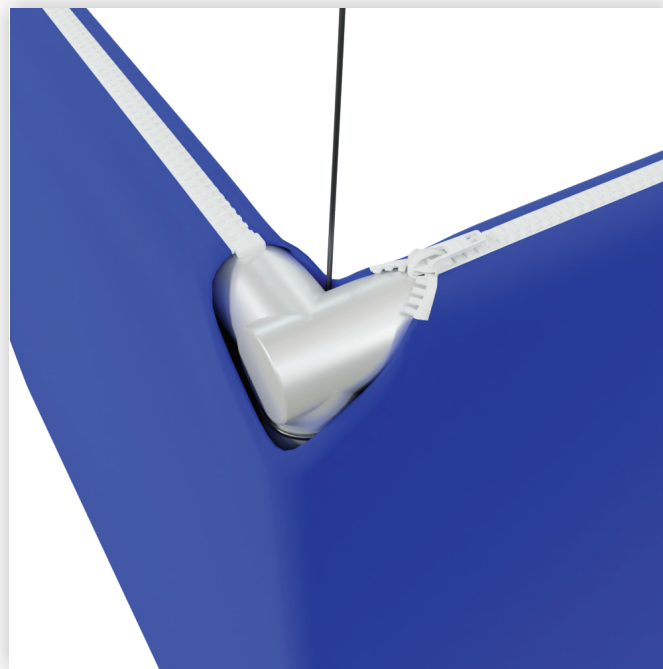
### Step 1

After assembling the sign, locate the hanging points. There are openings on the zipper to allow for cables to be inserted



### Step 2

Open the zippers to expose the hanging area, then wrap the cables around the vertical support pole



### Step 3

Pull the cable through the opening in the fabric. Close the zippers.

\*Hanging cables are not included in the kit, to be provided by on-site rigging team.