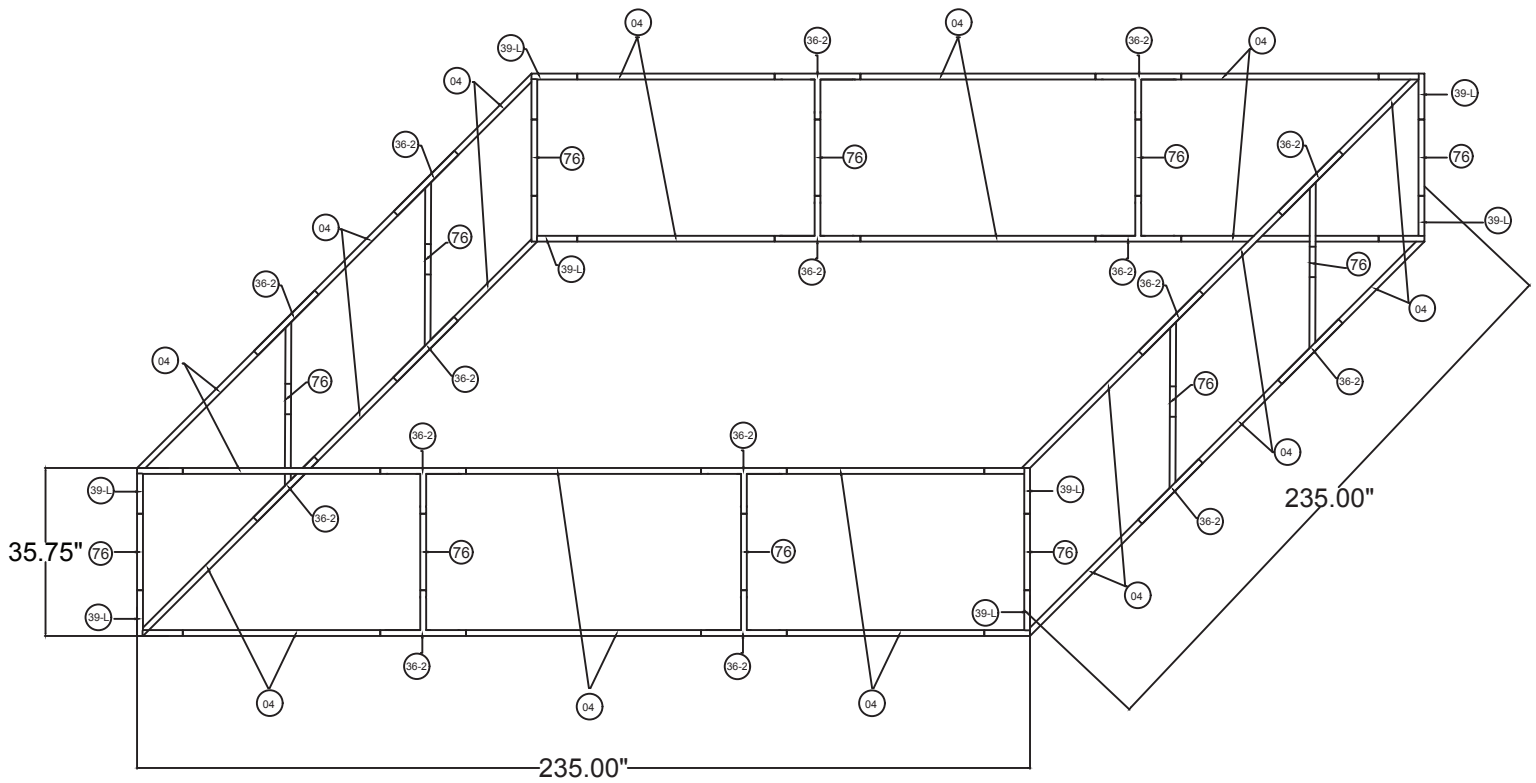


WAVELINE®

20'w x 3'h WL Hanging Sign



SHS2036

20'w x 3'h WL Hanging Sign

Qty.	Part Number
8	WLM#039-L
12	WLM#076
24	WLM#004
16	WLM#036-2-US
2	BGO-FABRIC-XL bag



Notes:

- * Does not include Hanging Cables
- * Will fit inside a CA600 or CA900 case

